



PRO
PASSIVHAUSFENSTER

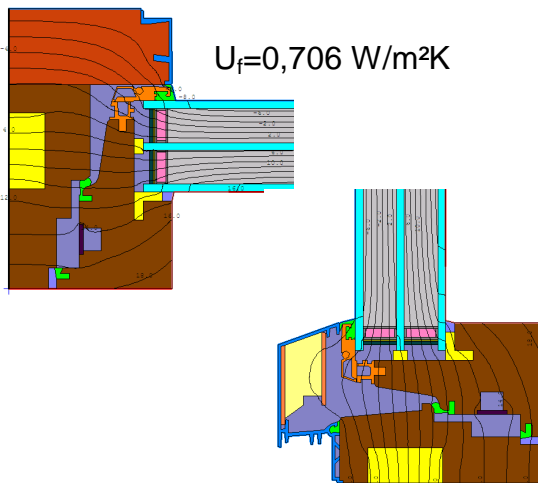
pro Passivhausfenster GmbH

Tel.: (0049) 08033/30 40 98
Handy: (0049) 0170/34 66 0 99
Fax: (0049) 08033/30 45 43
phc@freundorfer.eu

Invitation to the third Passive House Window Talk

Date: 20th till 22nd February 2013
Location: Schnaittach - Osternohe
Hotel Igelwirt (www.igelwirt.de)
Begin: both days 9:00 a.m.
Conference language: english
20th February 2013: *Visit of the smartwin production of HolzWin and
Excursion to a pilot projects with smartwin*
21st February 2013: *Seminar: window and energy efficiency*
22nd February 2013: *Seminar: energy balance PHPP (in german language)*

The Passive House Window reaches maturity and for the second time it is the key to increase the energy efficiency of our buildings.



$U_w=0,785 \text{ W/m}^2\text{K}$ bei $U_g=0,70 \text{ W/m}^2\text{K}$
 $U_w=0,632 \text{ W/m}^2\text{K}$ bei $U_g=0,50 \text{ W/m}^2\text{K}$

Look at the thermotechnical values of our first baby.
CE signing completed with peak values

The group pro Passiv House Window...

*consisting of Menuiserie André (F), PHC Franz
Freundorfer (D) and Fa Lorber Fensterbau (A)*

*...aims at developing, prototyping and
producing an energy-efficient A- class
window for Passive Houses in
cooperation. We want to share our
knowledge and product with small
window manufacturers (up to 30
employees) with like-minded
philosophy.*

Speakers: Dr. Benjamin Krick (PHI) and Franz Freundorfer

Costs of the seminar per participant 250,- EUR for two days and 450,- EUR for three days + VAT. incl. catering without overnight stay



pro Passivhausfenster GmbH

Tel.: (0049) 08033/30 40 98
Handy: (0049) 0170/34 66 0 99
Fax: (0049) 08033/30 45 43
phc@freundorfer.eu

Program:

20.02.2013 Visit of the smartwin production of HolzWin and Excursion to some pilot projects with smartwin

- 09:00 - 12:00 a.m. Start of the bus to the smartwin window production of HolzWin
- 12:00 - 16:00 p.m. Start of the bus excursion to some pilot project with Peter May, Jörg Volmer, Mathilde and Jean Louis Andre, Sepp Lorber and Franz Freundorfer (shared lunch enroute)
- 16:00 – 16:30 p.m. Return to the Hotel and Time for common discussions in a nice atmosphere

21.02.2013 Seminar window and energy efficiency

- 09:00 - 12:30 a.m. Introduction to Passive House and Passive House Windows, Franz Freundorfer PHC
- 12:30 - 01:30 p.m. Shared lunch
- 01:30 - 03:00 p.m. New criteria for the window certification and the new classes of energy efficiency from the Passive House Institute, Benjamin Krick PHI
- 03:00 - 05:00 p.m. Fitting situations for windows and the calculation with finite elements to define the losses through the thermal bridge. Franz Freundorfer PHC



PRO
PASSIVHAUSFENSTER

pro Passivhausfenster GmbH

Tel.: (0049) 08033/30 40 98

Handy: (0049) 0170/34 66 0 99

Fax: (0049) 08033/30 45 43

phc@freundorfer.eu

22.02.2013 Seminar energy balance (PHPP) (in german language)

09:00 - 05:00 p.m. Basics of the passive house energy balance and own work on PHPP

Franz Freundorfer PHC

Target: Input of an own project into PHPP

Participants:

Invited are architects, who are able to understand the importance of the new generation of Passive House Windows, and innovative, cooperative window producers, who love energy efficiency and have the guts to innovate there own companies.

We are looking forward to welcome you as participant.

Oberaudorf, 24.07.2012

Franz Freundorfer



PRO
PASSIVHAUSFENSTER

pro Passivhausfenster GmbH

Tel.: (0049) 08033/30 40 98
Handy: (0049) 0170/34 66 0 99
Fax: (0049) 08033/30 45 43
phc@freundorfer.eu

Here is my firm registration for the Passive House Window Talk:

Name(s):

Function:

Adress with VAT:

E-Mail:

Tel:

Fax:

I will visit your event of the 20th and 21st of february 2013 with ___ person(s) at Osternohe. I also visit ther german spoken seminar energy balance on 22nd of February with ___ person(s). Please organise the firm room reservation for ___ person(s)

Costs of the seminar per participant 250,- EUR for two days and 450,- EUR for three days (with PHPP seminar) + VAT. incl. catering without overnight stay. For day three all participants needs a valid PHPP licence in the newest version. Please order this over http://www.passiv.de/de/05_service/01_literaturverkauf/00_literaturhinweise/02_phpp.htm.

The costs of the seminar must be paid before the event.

Fax for application: (0049) 08033/30 45 43

Banking details Sparkasse Oberaudorf
IBAN: DE78 7115 0000 0020 0307 55

BLZ: 711 500 00 Ktonr.: 20030755
SWIFT-BIC: BYLADEM1ROS



PRO
PASSIVHAUSFENSTER

pro Passivhausfenster GmbH

Tel.: (0049) 08033/30 40 98
Handy: (0049) 0170/34 66 0 99
Fax: (0049) 08033/30 45 43
phc@freundorfer.eu

Travel Informations

Place of Seminar

Hotel Igelwirt
Igelweg 6, Schloßberg
D - 91220 Schnaittach - Osternohe
Deutschland

Tel. : +49 (0) 9153-406-0
FAX +49 (0) 9153-406 166
mail: info@igelwirt.de www.igelwirt.de

Nearest railway station :

Nürnberg Hauptbahnhof (32 km)

Schnaittach Bahnhof (5 km)

We can go to look for you at the railway station.

Airport :

München Franz Josef Strauß (170 km)

Use the railway S8 to Munich main station (40min). There you can take an express train to Nürnberg (60 min).

Nürnberg airport (32 km)

By car :

Motorway A9 Nürnberg-Berlin exit Schnaittach. Follow the signs Schnaittach and go to the left to Simmelsdorf.

After 350 m go to the rightern site. Follow this street about 4km till Osternohe. From now on you can trace our signs "Igelwirt".